

## Short description



- Adjustable mounting height
- Easy installation
- Nickel plated alloy steel
- Using under heavy static load or slight dynamic load
- Can be used with Load Cell models: H8C

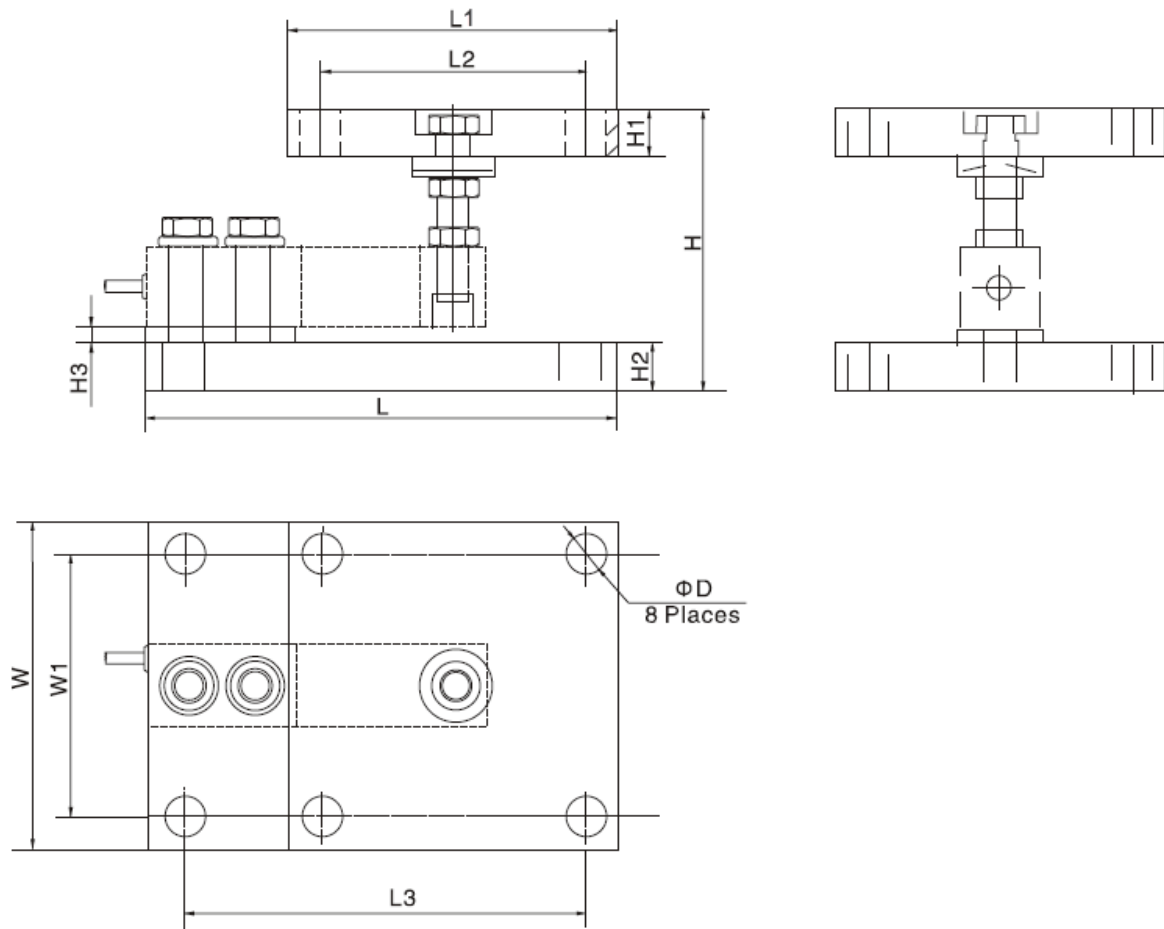
## Available models

Model	Capacity	Full article description	Part number
HM-8-402	0.5 – 2t	HM-8-402-0.5t/2t	2083010
	2.5 – 5t	HM-8-402-2.5t/5t	2083020
	10t	HM-8-402-10t	2083029
	1klb – 4klb	HM-8-402-1/4k	2083030
	5klb – 10klb	HM-8-402-5/10k	2083040

Specifications and dimensions are subject to change without notice and do not constitute any liability whatsoever.

# Type HM-8-402

Dimensions in mm (inch)



Dimension Capacity	L	L1	L2	L3	H	H1	H2	H3	W	W1	ØD
0.5t – 2t	180.9	127	101.6	152.4	100-120	18	18	6.1	127	101.6	16
2.5t – 5t	215.9	127	101.6	177.8	130-150	26	26	6.1	127	101.6	16
10t	285.8	177.8	127	235	195-215	38	38	6.1	177.8	127	21
1klb – 4klb	(7.12)	(5.0)	(4.0)	(6.0)	(3.94-4.72)	(0.71)	(0.71)	(0.24)	(5.0)	(4.0)	(0.63)
5klb – 10klb	(8.5)	(5.0)	(4.0)	(7.0)	(5.12-5.91)	(1.02)	(1.02)	(0.24)	(5.0)	(4.0)	(0.63)

Specifications and dimensions are subject to change without notice and do not constitute any liability whatsoever.