

Specifications

Banding

Package size	Width: 50-240mm(2.0-9.4 inches) Height: 10-150mm(0.4-5.9 inches) Depth: 80mm or more (3.1 inches or more)
Banding speed	Max: 12 packages/min. <i>Note: The banding speed may vary depending on the length of the band format.</i>

Printer

Banding film type	OPP
Printing method	Thermal transfer
Dot density	11.8dot/mm(300dpi)
Film width	60mm
Printing area	Max. 300mm (Between 95mm to 395mm from top of banding label)

Operation console

Display panel	TFT LCD color (10.4 inches) touch panel
Operation keys	Mechanical keys and touch panel
Memory for programmable files	18GB

General

Power source and power consumption	AC 100-120 or 220-240V, 50/60Hz 280W
Net weight	• Approx. 41.4kg (RGW-560II) • Approx. 38kg (RGW-560IICT)
Operation humidity	40 to 80%RH with no condensation

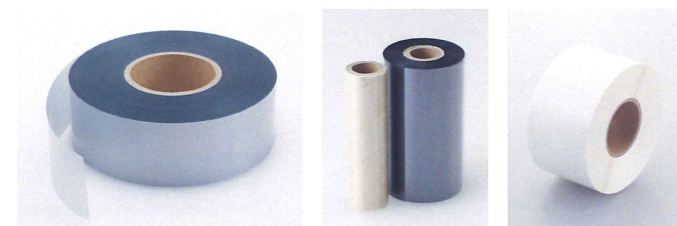
Model variations

- RGW-560IICT (without console)

Options

- External labeler
- Foot switch

Consumables



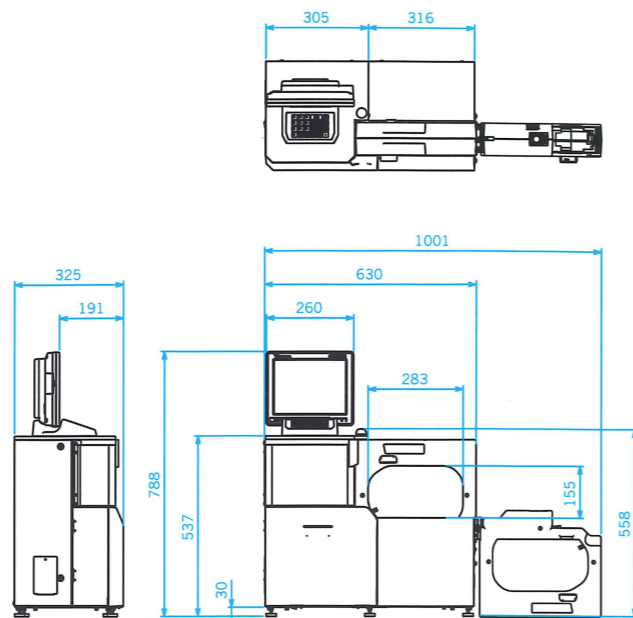
OPP film

Ink ribbon

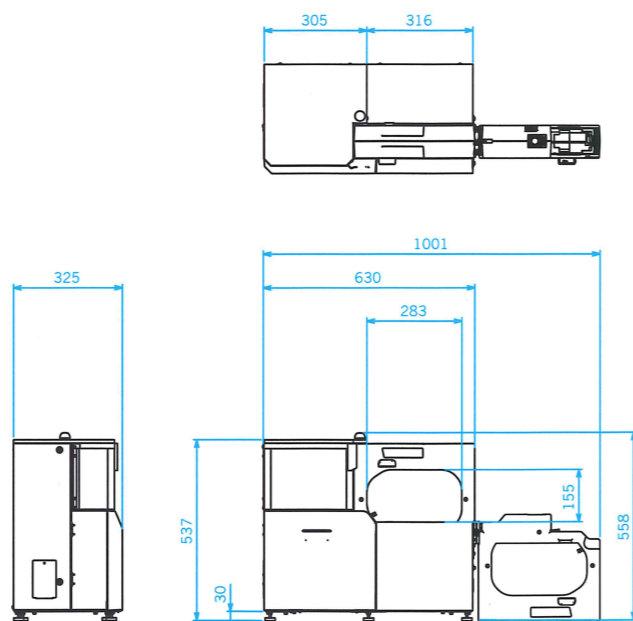
Additional label

Dimensions

Standard Configuration with console
RGW-560II



Configuration without console
RGW-560IICT



Unit = mm



RGW-560II

Product Strap Banding Machine



*Specifications are subject to change without prior notice.

TERAOKA SEIKO Co., Ltd.

13-12 Kugahara 5-chome, Ohta-ku,
Tokyo 146-8580 JAPAN
www.digisystem.com



A1808WD

Searching for a New Balance

Adding value to customers' products with a sleek, flexible, graphic banding label

The RGW-560II is a new concept in banding machines that showcases the product while still offering information and secure packaging. The flexible product strap eliminates the need for distracting labels allowing for a better package design appealing to customers.



Secure packaging

The banding label uses a heat seal to safely secure the package, avoiding any chance the lid would open unexpectedly. No need to tape manually.



Utilize DIGI's 5600 series console

The RGW-560II uses the DIGI 5600 series console to enable communication with other backroom wrapping machines or printers. Easy and familiar operation helps improve efficiency.



Flexible design printing

The RGW-5600 enables to the flexible design to print on demand by thermal transfer. The banding label has space to fit a wide variety of advertising images or multiple lines of information.



Film



Banding label sample

Impact product presentation

Normal white labels increasingly obstruct the product view and degrade the appearance. The banding label's sophisticated graphic design printing allows customers a better impression of the product.

