

## Short description



- Aluminium-alloy IP65 single point load cell
- Colourless anodized
- Suitable for single or double load cell structured platform scales
- Maximum platform size: 400 x 400 mm

Non-OIML approved

## Available models

Capacity	Accuracy	Full article description
3kg	C3	L6H9-C3-3kg-1B6
5kg	C3	L6H9-C3-5kg-1B6
7kg	C3	L6H9-C3-7kg-1B6
10kg	C3	L6H9-C3-10kg-1B6
15kg	C3	L6H9-C3-15kg-1B6
20kg	C3	L6H9-C3-20kg-1B6
30kg	C3	L6H9-C3-30kg-1B6
50kg	C3	L6H9-C3-50kg-1B6
90kg	C3	L6H9-C3-90kg-1B6

Specifications and dimensions are subject to change without notice and do not constitute any liability whatsoever.

## Technical specifications L6H9

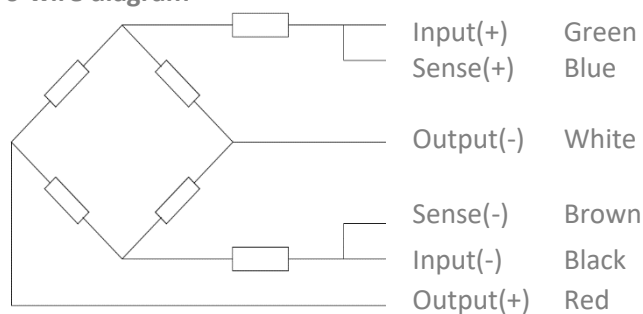
Accuracy class		C3
Output sensitivity ( = FS )	mV/V	2.0 ± 0.2
Maximum capacity ( E <sub>max</sub> )	kg	3, 5, 7, 10, 15, 20, 30, 50, 90
Max. number of load cell intervals	n <sub>LC</sub>	3000
Temperature effect on zero	%FS/10°C	≤± 0.017
Temperature effect on sensitivity	%FS/10°C	≤± 0.014
Creep	%FS/30min	≤± 0.017
Combined Error	%FS	≤± 0.0230
Minimum dead load	Of E <sub>max</sub>	0%
Safe overload	of E <sub>max</sub>	120 %
Ultimate overload	of E <sub>max</sub>	150 %
Zero balance	of FS	< ± 2.0 %
Excitation, recommended voltage	V	5 ~ 12
Excitation maximum	V	15
Input resistance	Ω	406 ± 6
Output resistance	Ω	350 ± 3
Insulation resistance	MΩ	≥5000 ( at 50VDC )
Compensated temperature	°C	-10 ~ +40
Operating temperature	°C	-20 ~ +65
Storage temperature	°C	-25 ~ +70
Element material		Aluminium
Ingress Protection (acc. to EN 60529)		IP65
Recommended torque on fixation	Nm	M6: 10

## Wiring

### Features:

Shielded, 6 conductor cable  
 Cable diameter: Ø5.0mm  
 Standard cable length: 1m  
 Shield not connected to element  
 Cable jacket in PVC

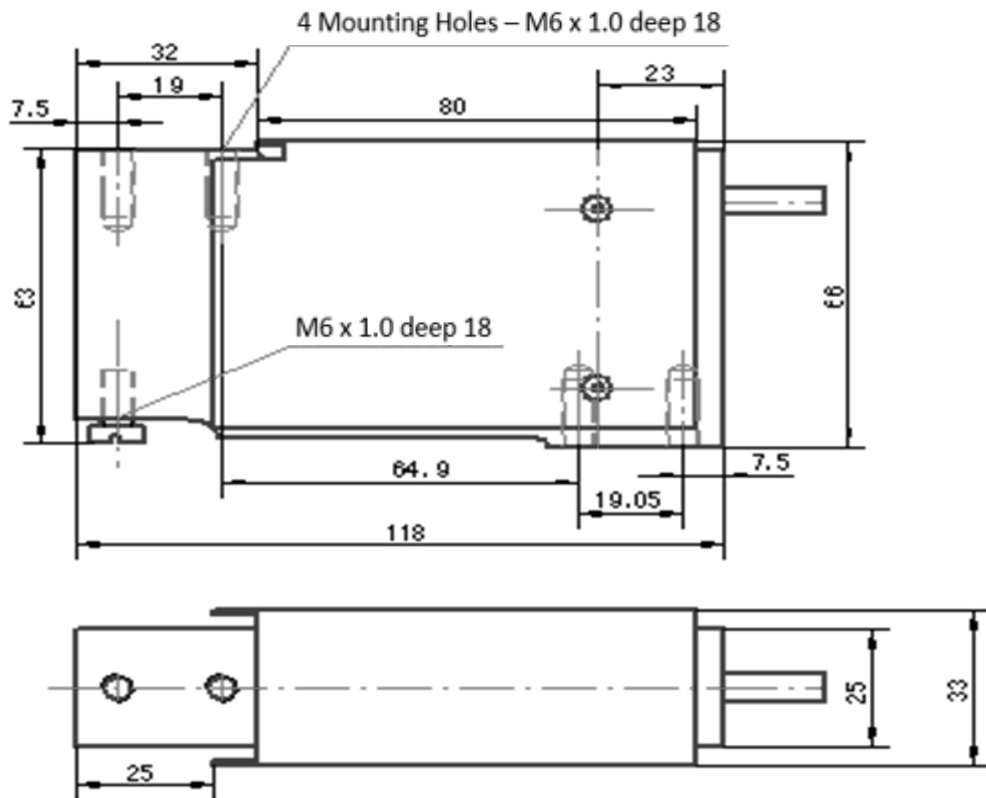
### 6-wire diagram



Specifications and dimensions are subject to change without notice and do not constitute any liability whatsoever.

# Type L6H9 Load Cell

Dimensions in mm



Specifications and dimensions are subject to change without notice and do not constitute any liability whatsoever.